

## Product information

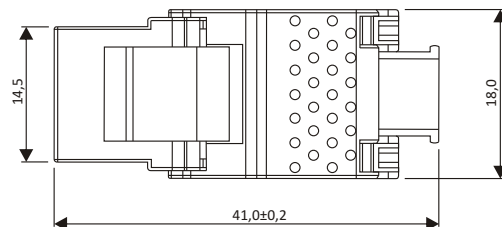
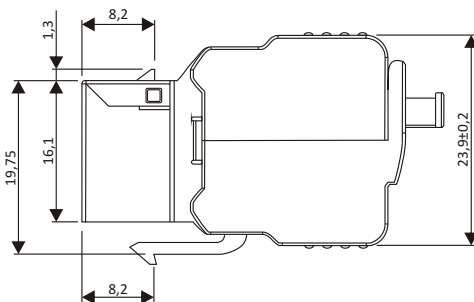
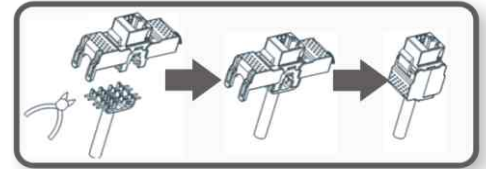
### RJ45 Keystone module, toll-free

The RJ45 Keystone module is used for forming outlets in both flush and surface mounted versions through fitting them in adapters (front plates) with the following dimensions: 22.5x45mm, 45x45mm, 25x50mm.



## Features

- Slot connection IDC for cables with AWG 22 - AWG 26,
- Color-coded terminals according to T568A and T568B schemes,
- Quick and simple installation,
- Tool-free terminal wire mounting through capsule insertion and module casing lock,
- Conforms with requirements of electromagnetic compatibility EMC,
- Possibility of mounting in a wide range of installation equipment available on the market.



## Mechanical parameters

- Shield: Bronze nickel-plated,
- Plastic housing: ABS + PC, UL 94V-0,
- Jack bracket set: Polycarbonate, UL94-HB, transparent,
- RJ45 jack finish and contact material:
  - Phosphor bronze 1.2 - 1.5  $\mu\text{m}$  nickel plated.
- Contact area (min. 3mm) 1.2  $\mu\text{m}$  gold plated,
- IDC housing: PC+5%GF, UL 94V-2,
- IDC terminal material and finish:
  - Phosphor bronze 1.2  $\mu\text{m}$  tin plated.
- IDC cap: Zinc die-casting nickel plated,
- Insertion force: RJ45 < 9 N,
- Retention strength: RJ45 > 75 N,
- Operation temperature: -40°C to 80°C,
- Durability:
  - Jack: 750 cycles plug-jack mating and unmating test, insertion cycles at 20 cycles/minute max. contact resistance test per 100 cycles,
  - IDC: max. 200 punching times.

## Conformity to respective requirements in norms

- PN-EN-50173-1:2007
- EN 50173-1:2007
- EN 50173-1:2007/A1
- TIA/EIA-568-B.2
- ISO/IEC 11801 2002
- ISO/IEC 11801 2002/Amd 1:2008/Cor 1:2008
- ISO/IEC 61156-5 (2009-02) Ed.2.0.

Index: 11331111

# Contact



BKT Elektronik

Export Department

69 Łochowska Str.

86-005 Białe Błota

tel. +48 52 36 36 371, -772, -780

fax. +48 52 36 36 370

e-mail: [export@bkte.pl](mailto:export@bkte.pl)

